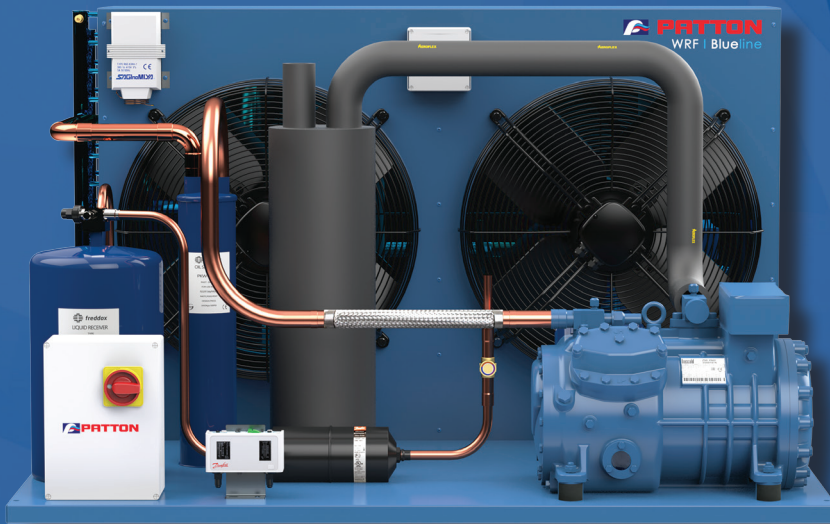




# PATTON

## WRF | BlueLine

### BlueLine WRF Series Wide Range Condensing Units Powered by Frascold Semi-Hermetic



- High efficiency Frascold Semi-Hermetic compressors
- Generously sized high ambient condensers coated with "Patton Coat" coil and fin protection
- High efficiency external rotor fan assemblies
- Fan speed control fitted for balanced operation
- Dual pressure control with "Convertible Reset"
- Liquid line drier & sight glass fitted on all models
- Oil separator fitted and charged on all models
- Suction line accumulator fitted on all models
- Fully wired complete with; isolator switch, contactor, overload and control breaker all in IP67 enclosure

**BEIJER REF**  
Australia

# MEDIUM / LOW TEMP

3 20 hp

## R404A MED / LOW TEMP

Cat No.	Model	Nom. hp	Fans mm	Ambient °C	Evaporating Temp °C (Watts)						
					-30	-25	-20	-15	-10	-5	0
WRF1004S	WRF315-600-402	3	2x400	38	3450	4330	5340	6480	7770	9200	10770
				40	3330	4180	5150	6250	7480	8850	10360
				43	3140	3940	4850	5880	7040	8340	9760
WRF1006S	WRF521-650-402	5	2x400	38	3840	5200	6700	8350	10160	12110	14190
				40	3640	4960	6420	8010	9750	11620	13650
				43	3340	4600	5990	7500	9140	10920	12820
WRF1007S	WRF525-900-502	5.5	2x500	38	5030	6510	8190	10100	12210	14570	17160
				40	4820	6250	7880	9710	11760	14020	16510
				43	4510	5870	7410	9130	11080	13200	15520
WRF1009S	WRF728-1000-502	7	2x500	38	5970	7690	9640	11840	14290	16990	19950
				40	5740	7400	9280	11420	13770	16370	19210
				43	5370	6960	8750	10760	12970	15440	18110
WRF1012S	WRF733-1000-502	7.5	2x500	38	6900	8810	10990	13410	16100	19050	22250
				40	6620	8470	10580	12930	15510	18370	21440
				43	6190	7970	9960	12180	14620	17300	20200
WRF1015S	WRF1242-1500-632	12	2x630	38	8000	10430	13230	16410	20000	23940	28290
				40	7630	9970	12700	15770	19240	23050	27300
				43	7070	9300	11880	14790	18060	21710	25740
WRF1016S	WRF1552-2050-632	15	2x630	38	11450	14710	18250	22170	26440	31150	36320
				40	10960	14160	17600	21390	25560	30090	35040
				43	10220	13340	16640	20250	24180	28490	33200
WRF1017S	WRF2056-2400-632	20	2x630	38	12660	16240	20160	24420	29100	34240	39880
				40	12130	15640	19450	23570	28130	33080	38490
				43	11350	14750	18410	22370	26680	31330	36480

## R448/449A MED / LOW TEMP

Cat No.	Model	Nom. hp	Fans mm	Ambient °C	Evaporating Temp °C (Watts)						
					-30	-25	-20	-15	-10	-5	0
WRF1004S	WRF315-600-402	3	2x400	38	2830	3750	4820	6070	7510	9150	11000
				40	2720	3620	4650	5860	7260	8860	10670
				43	2550	3410	4410	5560	6900	8440	10180
WRF1006S	WRF521-650-402	5	2x400	38	3880	5090	6500	8140	10020	12170	14610
				40	3730	4910	6270	7860	9680	11790	14170
				43	3510	4630	5940	7450	9210	11230	13540
WRF1007S	WRF525-900-502	5.5	2x500	38	4600	6040	7720	9670	11930	14490	17430
				40	4410	5820	7450	9360	11530	14030	16900
				43	4150	5490	7050	8860	10960	13350	16090
WRF1009S	WRF728-1000-502	7	2x500	38	5170	6820	8730	10960	13540	16480	19810
				40	4970	6570	8420	10600	13100	15960	19210
				43	4660	6190	7960	10040	12430	15190	18320
WRF1012S	WRF733-1000-502	7.5	2x500	38	6250	8150	10350	12870	15790	19060	22770
				40	6030	7860	9990	12460	15260	18460	22100
				43	5680	7440	9470	11820	14510	17590	21020
WRF1015S	WRF1242-1500-632	12	2x630	38	7470	9860	12650	15890	19660	23980	28890
				40	7170	9500	12200	15370	19030	23220	27990
				43	6730	8960	11540	14560	18050	22090	26700
WRF1016S	WRF1552-2050-632	15	2x630	38	8550	11480	14900	18890	23490	28780	34700
				40	8150	11020	14330	18200	22650	27780	33570
				43	7570	10310	13460	17170	21390	26270	31850
WRF1017S	WRF2056-2400-632	20	2x630	38	10230	13490	17280	21700	26730	32550	39060
				40	9810	12970	16680	20920	25830	31470	37780
				43	9190	12210	15740	19810	24480	29860	35930

- Ratings based on; 20deg return gas / 3k subcooling
- Refer to back page for further technical information

# MEDIUM / HIGH TEMP

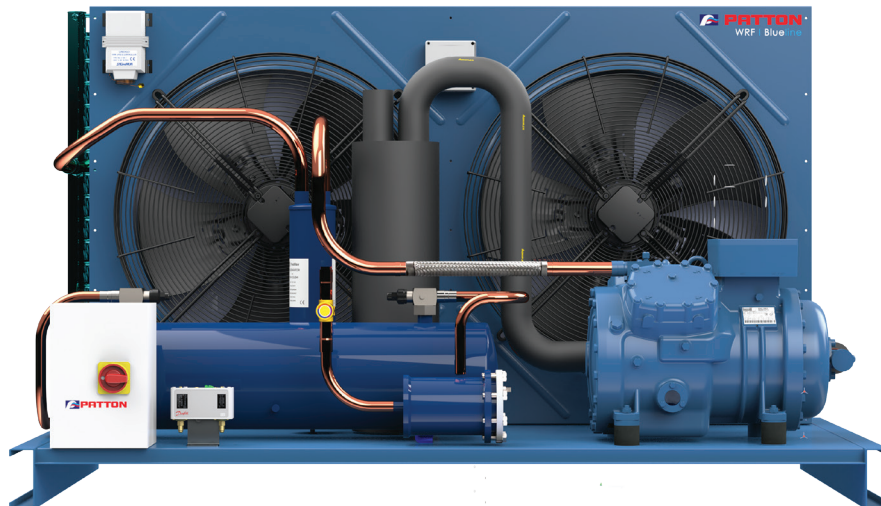
3 20 hp

## R134a MED / HIGH TEMP

Cat No.	Model	Nom. hp	Fans mm	Ambient °C	-15	-10	-5	0	5	10
WRF1004S	WRF315-600-402	3	2x400	38	3650	4680	5860	7210	8750	10450
				40	3520	4540	5690	7010	8510	10190
				43	3330	4320	5440	6720	8160	9790
WRF1006S	WRF521-650-402	5	2x400	38	4620	6030	7670	9590	11770	14200
				40	4460	5820	7430	9300	11430	13820
				43	4200	5530	7080	8880	10940	13250
WRF1007S	WRF525-900-502	5.5	2x500	38	6470	8100	9990	12140	14590	17350
				40	6290	7890	9720	11840	14220	16910
				43	6010	7560	9340	11360	13670	16250
WRF1009S	WRF728-1000-502	7	2x500	38	6460	8290	10420	12910	15750	18930
				40	6260	8030	10120	12550	15320	18440
				43	5950	7670	9690	12020	14680	17690
WRF1012S	WRF733-1000-502	7.5	2x500	38	7720	9830	12280	15060	18180	21640
				40	7500	9560	11950	14660	17720	21080
				43	7160	9170	11460	14070	17000	20260
WRF1015S	WRF1242-1500-632	12	2x630	38	9790	12570	15790	19430	23530	28120
				40	9450	12170	15310	18880	22930	27390
				43	8930	11570	14620	18060	21990	26350
WRF1016S	WRF1552-2050-632	15	2x630	38	13040	16320	20120	24450	29370	34920
				40	12650	15880	19590	23820	28660	34030
				43	12100	15210	18790	22890	27550	32760
WRF1017S	WRF2056-2400-632	20	2x630	38	14430	18130	22380	27240	32710	38860
				40	14020	17650	21800	26550	31930	37930
				43	13390	16910	20950	25520	30700	36470

- Ratings based on; 20deg return gas / 3k subcooling
- Refer to back page for further technical information

WRF Series condensing units are fitted with Frascold Semi-Hermetic compressors which have been engineered for long term reliability and energy efficiency. They have been designed to operate with today's most common refrigerants plus many newer generation lower GWP variants including R448A & R449A. All components fitted to WRF units are of high-quality leading brands. This combined with generously sized condensers 'treated with protective coil and fin coating' make them an ideal solution to suit our harsh Australian conditions.

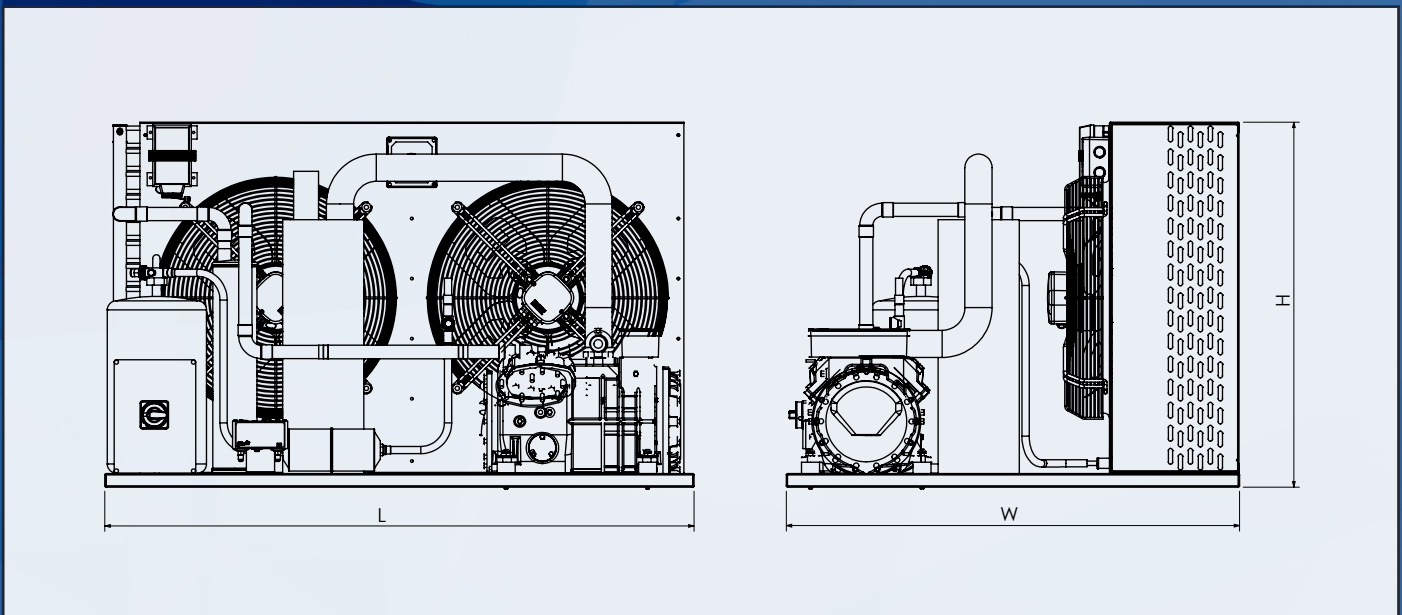


## TECHNICAL DATA

APPLICATION	STOCK NO.	UNIT MODEL	COMPRESSOR (3ph)			CONDENSER			RECEIVER VOLUME (Ltrs)	CONNECTIONS		DIMENSION (mm)			Kg	dB(A) @3.0 mtrs
			Model	HP	MCC (Amps)	Fans (mm)	AMPS (Total)	AIR (L/s)		Liquid (Inch)	Suction (Inch)	L	W	H		
WIDE RANGE LOW / MED / HIGH	WRF1004S	WRF315-600-402	D3-15Y	3	10.1	2x400	1.65	1550	8.0	1/2"	1-1/8"	980	880	730	180	68
	WRF1006S	WRF521-650-402	Q5-21Y	5	11.6	2x400	1.65	1670	8.0	1/2"	1-1/8"	980	880	730	200	69
	WRF1007S	WRF525-900-502	Q5-25Y	5.5	12.7	2x500	3.5	2360	8.0	5/8"	1-1/8"	1300	1000	805	230	72
	WRF1009S	WRF728-1000-502	Q7-28Y	7	17.6	2x500	3.5	2360	12.0	5/8"	1-3/8"	1300	1000	805	250	72
	WRF1012S	WRF733-1000-502	Q7-33Y	7.5	20	2x500	3.5	2360	12.0	5/8"	1-3/8"	1300	1000	805	250	72
	WRF1015S	WRF1242-1500-632	S12-42Y	12	22.4	2x630	5.4	3770	30.0	5/8"	1-3/8"	1720	1086	895	380	70
	WRF1016S	WRF1552-2050-632	S15-52Y	15	32.4	2x630	5.4	3960	30.0	7/8"	1-5/8"	1720	1086	1252	400	71
	WRF1017S	WRF2056-2400-632	S20-56Y	20	38.4	2x630	5.4	4185	30.0	7/8"	1-5/8"	1720	1086	1252	420	72

- All fan motors are 1ph/50hz (220-240V)
- Noise level ratings are "free field" based at a distance of 3m from source and are given as a guide only.

## DIMENSIONS



- Drawing is for dimensional purposes only. Type and layout of components may vary on different models.