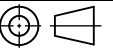


**NOTE:** REGAL AUSTRALIA IS HAPPY TO PROVIDE TECHNICAL ASSISTANCE TO OUR CUSTOMERS IN MANY AREAS. HOWEVER, SINCE REGAL AUSTRALIA IS NOT AWARE OF ALL DATA CONCERNING THE USE AND APPLICATION OF THIS MOTOR, THE SUITABILITY OF THE MOTOR FOR THE APPLICATION MUST BE DETERMINED BY AND IS THE RESPONSIBILITY OF THE CUSTOMER.

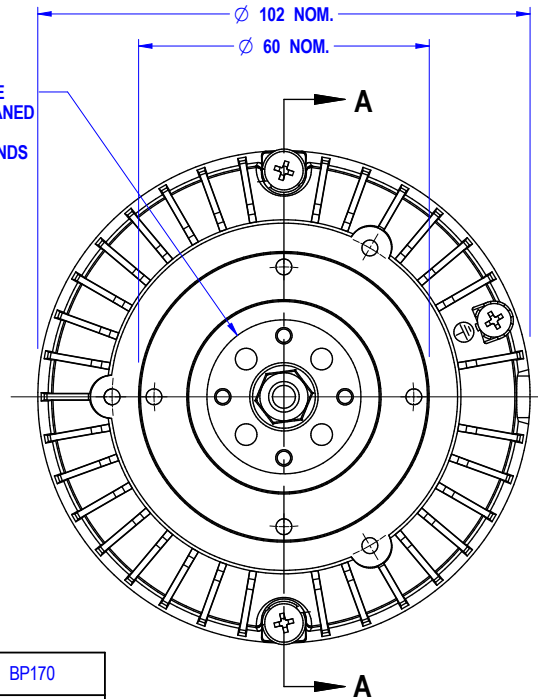


# MOTOR SPECIFICATION

DO NOT SCALE PRINT

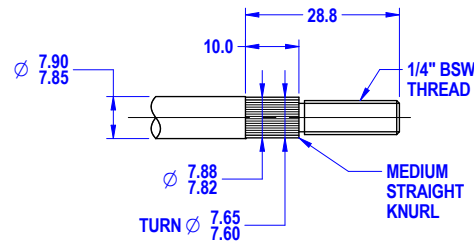
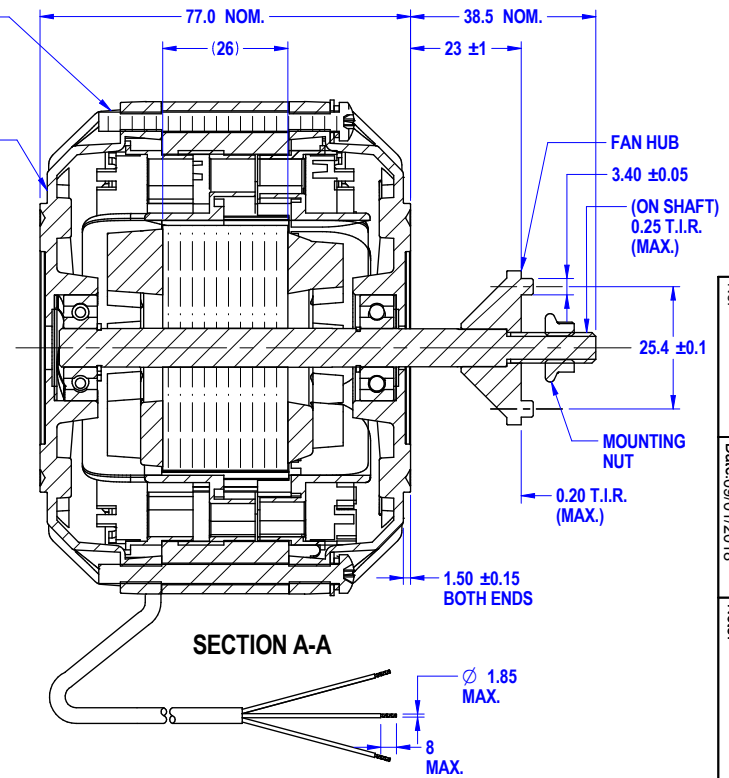
CUSTOMER				
CUSTOMER P/N				
QR No.		CAPACITOR	uf / V	
POWER OUTPUT	35W	START	NIL	
MOTOR TYPE	SH/POLE	RUN	NIL	
SUPPLY	VOLTS	HERTZ	PHASE	POLES
	240	50	SINGLE	4
ENCLOSURE	TOTALLY ENCLOSED			
SPEED (RPM) AT RATED OUTPUT	1260	WINDING TYPE		
ROTATION	ANTI-CLOCKWISE (DRIVE END)			
INSULATION CLASS	F 155	DUTY	AOM	
THERMAL PROTECTION	AUTO RESET			
RATED CURRENT	0.55	AMPS AT RATED OUTPUT		
APPLICATION	FAN DRIVE			
MOUNTING	TAPPED HOLES IN ENDSHIELD			
BEARING & LUBRICATION	608ZZ WIDE RANGE, LONG LIFE			
SUPPLY LEAD	COLOUR	PVC GREY		
	LENGTH	900 <sup>+50</sup> <sub>-0</sub> (45±5 STRIPPED)		
	TERMINALS	BOOTLACES		
	Q.C. HOUSING	NIL		
EARTH PROVISION	VIA SUPPLY LEAD			
BASIC BUILD SPECIFICATION				
PERFORMANCE SPECIFICATION				
SHAFT MATERIAL	MILD STEEL			
CONNECTION DIAGRAM	NIL	PAINT SPEC	NIL	

SURFACES MUST BE THOROUGHLY CLEANED PRIOR TO AFFIXING LABELS AT BOTH ENDS

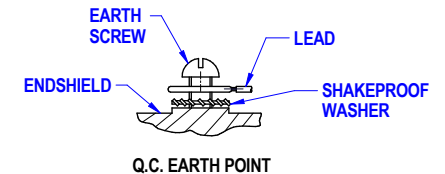


NOTE:- REFER TO DE0034 FOR ENDSHIELD MACHINING.

3 HOLES 3/16" BSW EQUISPACED ON 71.42 PCD



END OF SHAFT DETAILS



- SPECIAL REQUIREMENTS**
- 1) PLACE IN PLASTIC BAG AND ATTACH TO LEAD  
3 - SCREWS 3/16" BSW x 8.0mm PAN POSI HD.  
3 - SHAKEPROOF EXTERNAL WASHER 5mm I.D.
  - 2) SHAFT MATERIAL 45 STEEL.
  - 3) SINGLE CARTON, 6-MOTORS IN PLAIN BOX.

DIMENSIONS IN mm UNLESS OTHERWISE SPECIFIED  
GENERAL TOLERANCES  
LINEAR: X = ±1.0  
X.X = ±0.25  
X.XX = ±0.1  
ANGULAR: X = 2°  
X.X = ±0.5°  
SURFACE FINISHES IN MICRO METRES. MAX 3.0  
SYMBOLS - A.S. 1100

This drawing remains the property of Regal Australia Pty. Ltd.  
No part or parts of this drawing may be reproduced without written permission.

MAT'L		
FINISH		
DRAWN	MURFETTR	08/05/07
CHECKED		
RELEASED		
SCALE	NTS	

**REGAL**  
19 Corporate Avenue  
Rowville, Melbourne  
Victoria 3178, Australia

FRAME	MOTOR		REVISION
STATUS	4P 35W		
W	DWG. NO.	50D543-03AT	C
SHEET	A3		

MIC No. \_\_\_\_\_  
By: \_\_\_\_\_  
Date: 09/01/2018  
M/C: \_\_\_\_\_  
C: SHOWN SECTION A-A