

FREDDOX PRESSURE CONTROL SWITCHES



The Freddox range of pressure controls are an essential component that provides safety and capability to any refrigeration system which prolongs the lifespan of the equipment.

With over 30 years of experience put into the design and manufacturing of the Freddox pressure switches, technicians can rely on this range to confidently install this product as a solution to all pressure control breakdowns.

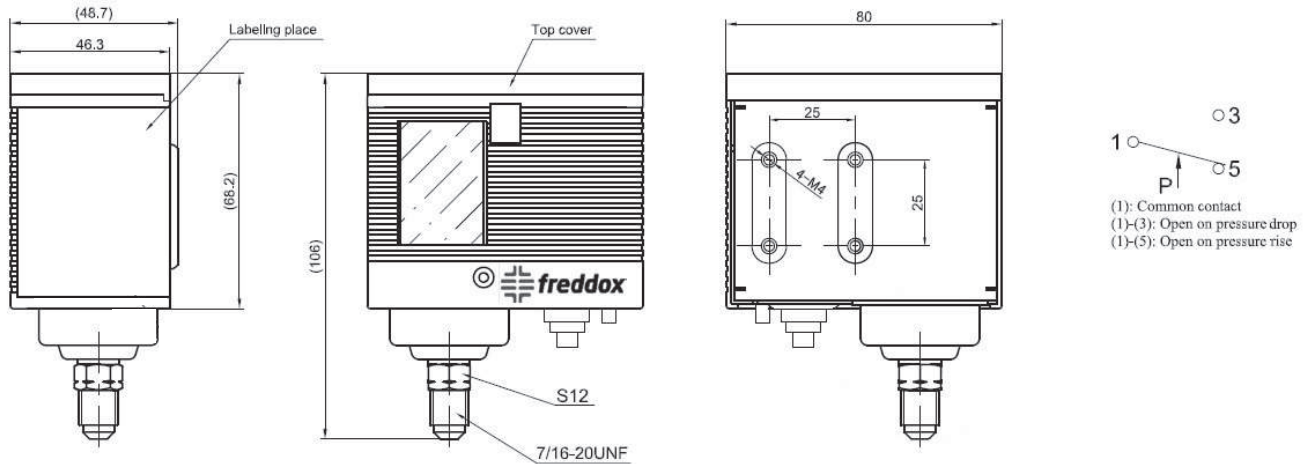
This range covers both single and dual pressure controls with a choice of manual or auto resets, making this a faultless solution for all your needs.

- Operational ambient temperatures -40/55C
- IP30/IP44 protection depending on model
- Compatible use with all HFC, HCFC, CFC and HFO refrigerants
- Rated Current SPDT 16Amp 240Vac
- CE and UKCA approved



TECHNICAL DATA

ITEM NUMBER	PRODUCT DESCRIPTION	PRESSURE RANGE		DIFFERENTIAL		MAX PRESSURE		RESET TYPE	CONNECTION TYPE
		BAR	PSI	BAR	PSI	BAR	PSI		
D16P07A01MS2R1	Freddox Low Pressure Switch Auto-Reset	-0.3 - 7	-4 - 101	0.6 - 4	9 - 58	17	246	Auto	1/4 Male Flare
D16P30A01MS2R1	Freddox High Pressure Switch Auto-Reset	7 - 31	101 - 450	2 - 8	29 - 116	35	507	Auto	1/4 Male Flare
D16P30M01MS2R1	Freddox High Pressure Switch Manual-Reset	7 - 31	101 - 450	≥ 2	29	35	507	Manual	1/4 Male Flare
D17P30AA1MS2R1	Freddox Dual Pressure Switch Auto/Auto-Reset	LP: -0.3 - 7	LP: -4 - 102	0.6 - 4	9 - 58	17	246	LP: Auto	1/4 Male Flare
		HP: 7 - 31	HP: 101 - 450	2 - 8	29 - 116	35	507	HP: Auto	
D17P30AM1MS2R1	Freddox Dual Pressure Switch Auto/Manual-Reset	LP: -0.3 - 7	LP: -4 - 102	0.6 - 4	9 - 58	17	246	LP: Auto	1/4 Male Flare
		HP: 7 - 31	HP: 101 - 450	≥ 2	29	35	507	HP: Manual	



FREDDOXAXIALFANS_0224