

Air Cooled Condensers



- Highly efficient external rotor fan motors give optimum performance with low noise levels
- Multiple fans (on all except smallest models) for flexibility of head pressure control
- Condensers supplied with "Patton Coat" fin and coil protective coating
- Optional multi-section refrigerant and subcooling circuits available to special order
- Optional vertical airflow arrangement available

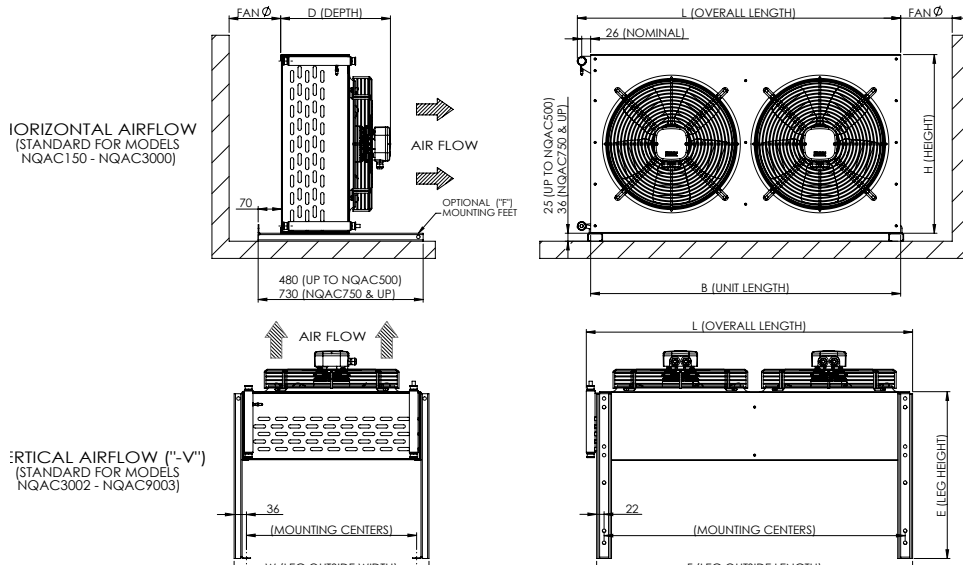
NQAC Quiet Line

6.0 259 kW
(15KTD)

CAPACITY THR (Watts)

MODEL	R404A			R134a			SOUND LEVEL (1) (dba)	
	1KTD	10KTD	15KTD	1KTD	10KTD	15KTD	3m	10m
NQAC150	441	4410	6615	433	4330	6495	60	49
NQAC200	588	5880	8820	576	5760	8640	61	52
NQAC250	784	7840	11760	769	7690	11535	64	55
NQAC300	853	8530	12795	836	8360	12540	66	57
NQAC400	1098	10980	16470	1076	10760	16140	63	54
NQAC500	1323	13230	19845	1 296	12960	19440	64	55
NQAC600	1499	14990	22485	1470	14700	22050	68	59
NQAC650	1686	16860	25290	1653	16530	24795	69	60
NQAC750	1901	19010	28515	1863	18630	27945	71	62
NQAC900	2195	21950	32925	2152	21520	32280	72	63
NQAC1000	2528	25280	37920	2477	24770	37155	72	63
NQAC1300	2989	29890	44835	2929	29290	43935	73	64
NQAC1400	3410	34100	51150	3342	33420	50130	72	63
NQAC1500	3303	33030	49545	3237	32370	48555	70	61
NQAC1700	3704	37040	55560	3630	36300	54450	70	61
NQAC2050	4047	40470	60705	3966	39660	59490	71	62
NQAC2400	4405	44050	66075	4317	43170	64755	72	63
NQAC3000	5753	57530	86295	5638	56380	84570	75	66
Vertical Air Flow Modules								
NQAC3002-V	6606	66060	99090	6474	64740	97110	73	64
NQAC3402-V	7408	74080	111120	7260	72600	108900	73	64
NQAC4102-V	8094	80940	121410	7932	79320	118980	74	65
NQAC4802-V	8810	88100	132150	8634	86340	129510	75	66
NQAC6002-V	11506	115060	172590	11276	112760	169140	78	69
NQAC4503-V	9909	99090	148635	9711	97110	145665	75	66
NQAC5103-V	11112	111120	166680	10890	108900	163350	75	66
NQAC6153-V	12141	121410	182115	11898	118980	178470	76	67
NQAC7203-V	13215	132150	198225	12951	129510	194265	77	68
NQAC9003-V	17259	172590	258885	16914	169140	253710	80	71

DIMENSIONS



NTS (mm)

TECHNICAL DATA

MODEL	FANS			MOTORS (2)		COIL			DIMENSIONS (mm)							Wgt Dry. (kg)	
	No. Off	Dia (mm)	Tot. Air Vol (l/sec)	Tot. Amps	Tot. Watts	FPI	STD. Connections (F. Sw)		Vol (dm3)	L	H	D	B	E	F		W
							Inlet	Outlet									
NQAC150	1	350	730	0.75	145	8	1 x 1/2"	1 x 1/2"	2.0	574	418	300	522	Vertical Airflow			15
NQAC200	1	350	710	0.75	145	8	1 x 5/8"	1 x 1/2"	3.0	688	418	330	636	610	636	490	18
NQAC250	1	400	980	1.50	260	10	1 x 5/8"	1 x 1/2"	4.0	688	520	330	636	610	636	592	24
NQAC300	2	350	1460	1.50	290	8	1 x 5/8"	1 x 1/2"	4.0	954	418	330	902	610	902	490	27
NQAC400	2	350	1510	1.50	290	8	1 x 5/8"	1 x 5/8"	6.0	954	520	330	902	610	902	592	35
NQAC500	2	350	1470	1.50	290	10	1 x 7/8"	1 x 5/8"	8.0	954	622	350	902	610	902	694	44
NQAC600	2	400	1550	3.0	520	10	1 x 7/8"	1 x 5/8"	8.0	954	622	370	902	630	902	694	45
NQAC650	2	400	1670	3.0	520	10	1 x 7/8"	1 x 5/8"	9.0	954	698	370	902	630	902	770	53
NQAC750	2	500	2550	4.0	940	10	1 x 7/8"	1 x 7/8"	9.0	1255	772	440	1200	730	1200	844	61
NQAC900	2	500	2360	4.0	940	10	1 x 7/8"	1 x 7/8"	13.0	1255	772	440	1200	730	1200	844	73
NQAC1000	2	500	2360	4.0	940	12	1 x 7/8"	1 x 7/8"	13.0	1255	772	440	1200	730	1200	844	73
NQAC1300	2	500	2950	4.0	940	12	1 x 1-1/8"	1 x 7/8"	16.0	1255	924	440	1200	730	1200	996	100
NQAC1400	2	500	3610	4.0	940	12	1 x 1-1/8"	1 x 1-1/8"	17.0	1255	1030	440	1200	730	1200	1102	112
NQAC1500	2	630	3770	6.2	1360	10	1 x 1-1/8"	1 x 1-1/8"	17.0	1651	772	450	1596	730	1596	844	91
NQAC1700	2	630	3770	6.2	1360	10	1 x 1-1/8"	1 x 1-1/8"	17.0	1651	772	450	1596	730	1596	844	96
NQAC2050	2	630	3960	6.2	1360	12	1 x 1-1/8"	1 x 1-1/8"	19.0	1651	924	450	1596	730	1596	996	127
NQAC2400	2	630	4185	6.2	1360	10	1 x 1-3/8"	1 x 1-3/8"	23.0	1651	1126	450	1596	730	1596	1200	154
NQAC3000	3	630	5760	9.3	2040	12	1 x 1-3/8"	1 x 1-3/8"	49.0	2264	961	450	2206	730	2206	1033	182
Vertical Air Flow Modules										Horizontal Airflow							
NQAC3002-V	4	630	7450	12.4	2700	10	2 x 1-1/8"	2 x 1-1/8"	34.0	1651	1544	450	1596	730	1596	1618	184
NQAC3402-V	4	630	7060	12.4	2700	10	2 x 1-1/8"	2 x 1-1/8"	34.0	1651	1544	450	1596	730	1596	1618	192
NQAC4102-V	4	630	7920	12.4	2700	12	2 x 1-1/8"	2 x 1-1/8"	38.0	1651	1848	450	1596	730	1596	1922	254
NQAC4802-V	4	630	8370	12.4	2700	10	2 x 1-3/8"	2 x 1-3/8"	46.0	1651	2252	450	1596	730	1596	2326	308
NQAC6002-V	6	630	11520	18.6	4080	12	2 x 1-3/8"	2 x 1-3/8"	98.0	2264	1922	450	2206	730	2206	1996	364
NQAC4503-V	6	630	11310	18.6	4080	10	3 x 1-1/8"	3 x 1-1/8"	51.0	1651	-	-	-	730	1596	2168	281
NQAC5103-V	6	630	10590	18.6	4080	10	3 x 1-1/8"	3 x 1-1/8"	51.0	1651	-	-	-	730	1596	2168	296
NQAC6153-V	6	630	11880	18.6	4080	12	3 x 1-1/8"	3 x 1-1/8"	59.0	1651	-	-	-	730	1596	2846	389
NQAC7203-V	6	630	12555	18.6	4080	10	3 x 1-3/8"	3 x 1-3/8"	69.0	1651	-	-	-	730	1596	3452	470
NQAC9003-V	9	630	17280	27.9	6120	12	3 x 1-3/8"	3 x 1-3/8"	147.0	2264	-	-	-	730	2206	2957	554

NOTES:

- Sound level data "free field" in accordance with ISO3741 to be used as a guide only.
Add 15dBa to "Sound Pressure" levels @ 3.0 m to obtain approx. "Sound Power" levels in db above 10-12 watts.
- All motors 220-240/1/50
- Refrigerant capacity correction factors:
R404A R449A R410A R407F R407C
1.0 0.96 1.02 0.95 0.95
- Altitude correction above sea level.
(Mtrs) 500 1000 1500 2000 2500
Factor 0.96 0.92 0.87 0.83 0.78

The company reserves the right to make specification changes without notice. AU 23/09/2020