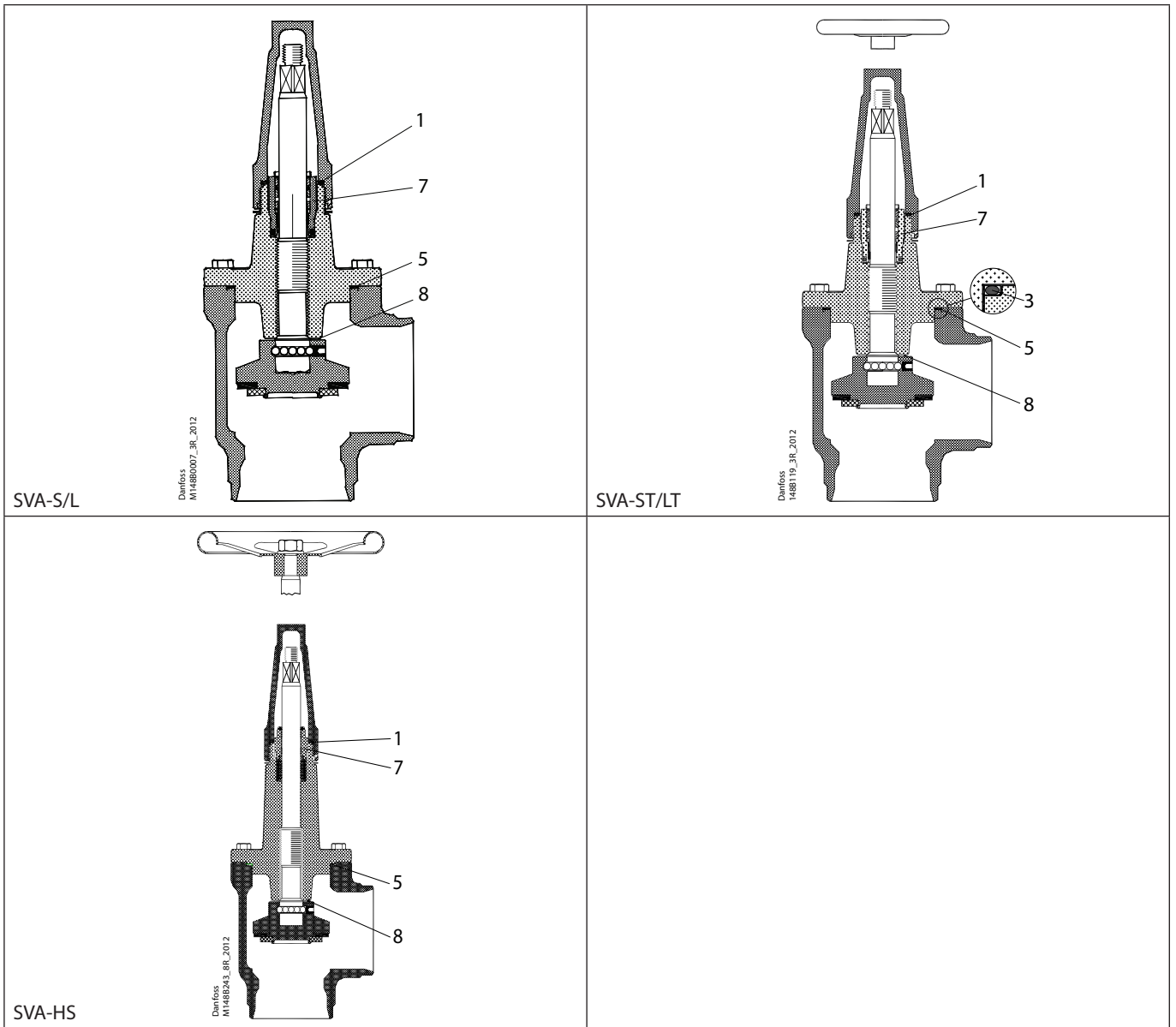


Installation guide – Spare parts and accessories

Repair kit | Code number 148B6473

Shut-off valves, SVA-S/L, SVA-ST/LT, SVA-HS size 200



<p>1</p> <p> = Nylon</p> <p>Total no. = 1</p>	<p>3</p> <p>Total no. = 1</p>	<p>5</p> <p> = Fibre</p> <p>Total no. = 1</p>	<p>7</p> <p>Total no. = 1</p>	<p>8</p> <p> = PTFE</p> <p>Total no. = 1</p>
<p>9</p> <p>Total no. = 1</p>	<p>10</p> <p>Total no. = 1</p>			