


Installation guide

ELIMINATOR® Hermetic burn-out filter drier

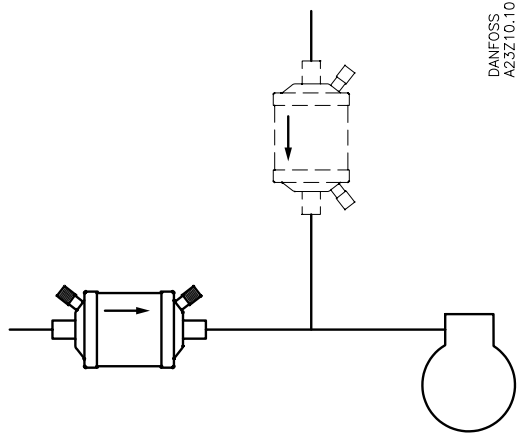
Type DAS

023R9527

023R9527

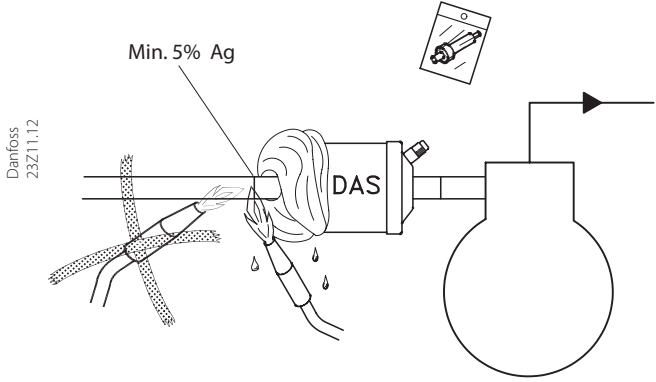
<p>Refrigerants</p> <p>R134a, R404A, R407C, R507, R22, R410A and other refrigerants (HCFC, HFC, HFO, HC)</p>	<p>Temperature range</p> <p> -40 – 70 °C -40 – 160 °F</p>	<p>Max. working pressure</p> <p>PS / MWP = 35 bar / 500 psig</p>
---	---	---


Mounting



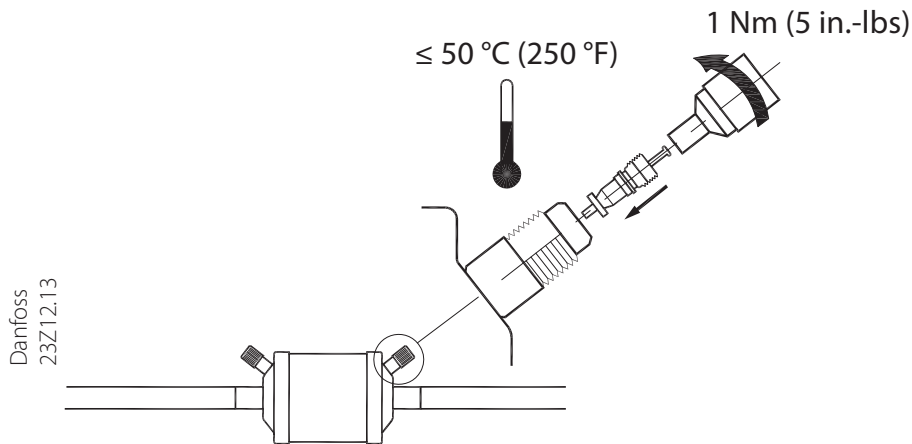
DANFOSS
A23Z10.10

Filter installation



 Install burnout drier as close as possible to the compressor.

Schrader valve Installation



Initial pressure drop:

Record initial pressure drop and check again after 72 hours of operation. Replace drier if the pressure drop ([bar] / [psi]) across the core exceeds the following values.

Refrigerant	Evaporator temperature									
	-40 °C / -40 °F		-28.9 °C / -20 °F		-17.8 °C / 0 °F		-6.7 °C / 20 °F		4.4 °C / 40 °F	
	[bar]	[psi]	[bar]	[psi]	[bar]	[psi]	[bar]	[psi]	[bar]	[psi]
R404A, R407C, R507, R22	0.04	0.50	0.07	1.00	0.10	1.50	0.15	2.00	0.20	3.00
R134a	-	-	0.04	0.50	0.07	1.00	0.10	1.50	0.15	2.00
R410A	0.07	1.00	0.10	1.50	0.15	2.00	0.20	3.00	0.07	1.00

Any information, including, but not limited to information on selection of product, its application or use, product design, weight, dimensions, capacity or any other technical data in product manuals, catalogues descriptions, advertisements, etc. and whether made available in writing, orally, electronically, online or via download, shall be considered informative, and is only binding if and to the extent, explicit reference is made in a quotation or order confirmation. Danfoss cannot accept any responsibility for possible errors in catalogues, brochures, videos and other material. Danfoss reserves the right to alter its products without notice. This also applies to products ordered but not delivered provided that such alterations can be made without changes to form, fit or function of the product.
All trademarks in this material are property of Danfoss A/S or Danfoss group companies. Danfoss and the Danfoss logo are trademarks of Danfoss A/S. All rights reserved.