

WRC EC Fan Remote Condensers



WRC

Remote Condensers

The WRC Remote Condenser range is ideal for commercial central plant refrigeration and air conditioning installations requiring low noise and improved energy savings.

WRC remote condensers features a specially optimised coil surface to fan ratio. This ensures even air distribution at reduced pressure drop across a wide fan speed range, which in turn reduces electricity consumption and overarching operating costs.

Features & Benefits

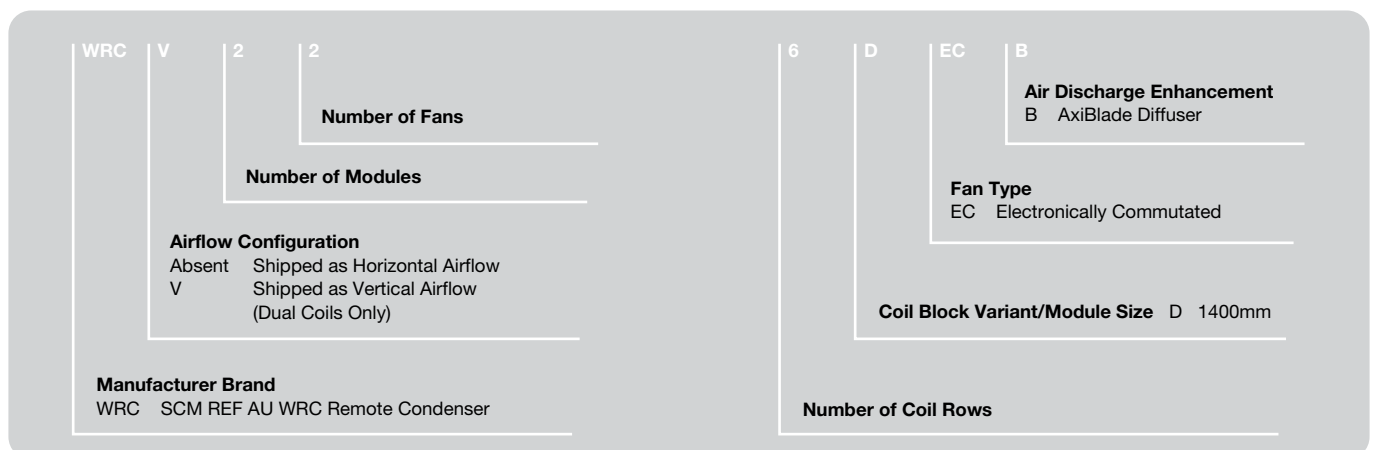
The WRC Remote Condenser range offers:

- All fan motors are factory pre-wired back to junction box for ease of installation
- Single and double coil variations available
- Floating coil technology and rifle bore tube for improved reliability and performance
- Blue coil coating fin protection supplied as standard, with heavy duty coil coating available
- Crisp painted steel casing and end plates to enhance durability and extend service life
- Vertical or horizontal air discharge achieved across all models

WRC Remote Condensers can be configured to the following special applications:

- Dry coolers
- Glycol
- Oil coolers
- 6 Pole AC Fans

Nomenclature



PERFORMANCE DATA

PRODUCT NUMBER	Capacity kW/K, 25°C Ambient, 0°C Subcooling											
	R404A	R448A	R134a	R513A	R404A	R448A	R134a	R513A	R404A	R448A	R134a	R513A
	1100 RPM				680 RPM				440 RPM			
Single Coil Models												
WRC124DECB	10,056	8,950	9,654	9,553	7,350	6,542	7,056	6,983	5,266	4,687	5,055	5,003
WRC126DECB	11,660	10,377	11,194	11,077	7,880	7,013	7,565	7,486	5,350	4,762	5,136	5,083
WRC134DECB	15,084	13,425	14,481	14,330	11,025	9,812	10,584	10,474	7,899	7,030	7,583	7,504
WRC136DECB	17,490	15,566	16,790	16,616	11,820	10,520	11,347	11,229	8,025	7,142	7,704	7,624
WRC144DECB	20,112	17,900	19,308	19,106	14,700	13,083	14,112	13,965	10,532	9,373	10,111	10,005
WRC146DECB	23,320	20,755	22,387	22,154	15,760	14,026	15,130	14,972	10,700	9,523	10,272	10,165
WRC154DECB	25,140	22,375	24,134	23,883	18,375	16,354	17,640	17,456	13,165	11,717	12,638	12,507
WRC156DECB	29,150	25,944	27,984	27,693	19,700	17,533	18,912	18,715	13,375	11,904	12,840	12,706
Double Coil Models												
WRCV224DECB	20,112	17,900	19,308	19,106	14,700	13,083	14,112	13,965	10,532	9,373	10,111	10,005
WRCV226DECB	23,320	20,755	22,387	22,154	15,760	14,026	15,130	14,972	10,700	9,523	10,272	10,165
WRCV234DECB	30,168	26,850	28,961	28,660	22,050	19,625	21,168	20,948	15,798	14,060	15,166	15,008
WRCV236DECB	34,980	31,132	33,581	33,231	23,640	21,040	22,694	22,458	16,050	14,285	15,408	15,248
WRCV244DECB	40,224	35,799	38,615	38,213	29,400	26,166	28,224	27,930	21,064	18,747	20,221	20,011
WRCV246DECB	46,640	41,510	44,774	44,308	31,520	28,053	30,259	29,944	21,400	19,046	20,544	20,330
WRCV254DECB	50,280	44,749	48,269	47,766	36,750	32,708	35,280	34,913	26,330	23,434	25,277	25,014
WRCV256DECB	58,300	51,887	55,968	55,385	39,400	35,066	37,824	37,430	26,750	23,808	25,680	25,413

TECHNICAL DATA

PRODUCT NUMBER	Motor Data		Unit Data		Fan Data				Coil Data			
	Power supply (V/Ph)	Total Amps/Phase	Total Watts	Total Amps/Phase	No. of Fans	Dia. (mm)	Airflow (l/s)			Refrigerant Charge (kg)	Connections (mm)	
							1100 RPM	680 RPM	440 RPM		R404A	Gas
Single Coil Models												
WRC124DECB	415/3	4.4	5,800	8.8	2	800	12,980	7,760	4,860	37	54.4	54.4
WRC126DECB	415/3	4.4	5,800	8.8	2	800	11,772	6,900	4,060	53	54.4	54.4
WRC134DECB	415/3	4.4	8,700	13.2	3	800	19,470	11,640	7,290	55	66.7	66.7
WRC136DECB	415/3	4.4	8,700	13.2	3	800	17,658	10,350	6,090	79	66.7	66.7
WRC144DECB	415/3	4.4	11,600	17.6	4	800	25,960	15,520	9,720	70	66.7	66.7
WRC146DECB	415/3	4.4	11,600	17.6	4	800	23,544	13,800	8,120	102	66.7	66.7
WRC154DECB	415/3	4.4	14,500	22.0	5	800	32,450	19,400	12,150	87	66.7	66.7
WRC156DECB	415/3	4.4	14,500	22.0	5	800	29,430	17,250	10,150	126	66.7	66.7
Double Coil Models												
WRCV224DECB	415/3	4.4	11,920	18.0	4	800	25,960	15,520	9,720	73	2 x 54.4	2 x 54.4
WRCV226DECB	415/3	4.4	11,920	18.0	4	800	23,544	13,800	8,120	105	2 x 54.4	2 x 54.4
WRCV234DECB	415/3	4.4	17,880	27.0	6	800	38,940	23,280	14,580	109	2 x 66.7	2 x 66.7
WRCV236DECB	415/3	4.4	17,880	27.0	6	800	35,316	20,700	12,180	157	2 x 66.7	2 x 66.7
WRCV244DECB	415/3	4.4	23,840	36.0	8	800	51,920	31,040	19,440	141	2 x 66.7	2 x 66.7
WRCV246DECB	415/3	4.4	23,840	36.0	8	800	47,088	27,600	16,240	204	2 x 66.7	2 x 66.7
WRCV254DECB	415/3	4.4	29,800	45.0	10	800	64,900	38,800	24,300	173	2 x 66.7	2 x 66.7
WRCV256DECB	415/3	4.4	29,800	45.0	10	800	58,860	34,500	20,300	252	2 x 66.7	2 x 66.7

SOUND DATA

PRODUCT NUMBER	Fan Speed	Sound Power	Sound Pressure	dB(A) Octave Band (Hz) Linear Sound Spectrum							
	RPM	dB(A)	dB(A)	100	125	250	500	1000	2000	4000	8000
Single Coil Models											
WRC124DECB	440	67	35	61.8	60.7	57.8	56.6	53.5	49.9	47.7	40.9
	680	76	44	71.8	74.5	70.3	66.8	64.1	62.1	56.3	52.8
	1090	88	56	77.9	87.1	80.6	78.5	79.3	79.0	73.3	67.2
WRC126DECB	440	71	39	64.8	62.4	58.8	58.2	55.2	50.2	49.2	44.2
	680	77	45	75.3	76.6	71.5	68.7	66.2	62.5	58.1	57.1
	1090	90	58	81.5	89.1	81.7	80.4	81.5	79.1	75.2	72.3
WRC134DECB	440	69	37	63.6	62.5	59.6	58.4	55.3	51.7	49.5	42.7
	680	78	46	73.6	76.3	72.1	68.6	65.9	63.9	58.1	54.6
	1090	90	58	79.7	88.9	82.4	80.3	81.1	80.8	75.1	69.0
WRC136DECB	440	72	40	66.6	64.2	60.6	60.0	57.0	52.0	51.0	46.0
	680	79	47	77.1	78.4	73.3	70.5	68.0	64.3	59.9	58.9
	1090	91	60	83.3	90.9	83.5	82.2	83.3	80.9	77.0	74.1
WRC144DECB	440	70	38	61.8	60.7	57.8	56.6	53.5	49.9	47.7	40.9
	680	79	47	71.8	74.5	70.3	66.8	64.1	62.1	56.3	52.8
	1090	91	59	77.9	87.1	80.6	78.5	79.3	79.0	73.3	67.2
WRC146DECB	440	74	42	64.8	62.4	58.8	58.2	55.2	50.2	49.2	44.2
	680	80	48	75.3	76.6	71.5	68.7	66.2	62.5	58.1	57.1
	1090	93	61	81.5	89.1	81.7	80.4	81.5	79.1	75.2	72.3
WRC154DECB	440	71	39	65.8	64.7	61.8	60.6	57.5	53.9	51.7	44.9
	680	80	48	75.8	78.5	74.3	70.8	68.1	66.1	60.3	56.8
	1090	92	60	81.9	91.1	84.6	82.5	83.3	83.0	77.3	71.2
WRC156DECB	440	75	43	68.8	66.4	62.8	62.2	59.2	54.2	53.2	48.2
	680	81	49	79.3	80.6	75.5	72.7	70.2	66.5	62.1	61.1
	1090	94	62	85.5	93.1	85.7	84.4	85.5	83.1	79.2	76.3
Twin Coil Models											
WRCV224DECB	440	70	38	64.8	63.7	60.8	59.6	56.5	52.9	50.7	43.9
	680	79	47	74.8	77.5	73.3	69.8	67.1	65.1	59.3	55.8
	1090	91	59	80.9	90.1	83.6	81.5	82.3	82.0	76.3	70.2
WRCV226DECB	440	74	42	67.8	65.4	61.8	61.2	58.2	53.2	52.2	47.2
	680	80	48	78.3	79.6	74.5	71.7	69.2	65.5	61.1	60.1
	1090	93	61	84.5	92.1	84.7	83.4	84.5	82.1	78.2	75.3
WRCV234DECB	440	72	40	66.6	65.5	62.6	61.4	58.3	54.7	52.5	45.7
	680	81	49	76.6	79.3	75.1	71.6	68.9	66.9	61.1	57.6
	1090	93	61	82.7	91.9	85.4	83.3	84.1	83.8	78.1	72.0
WRCV236DECB	440	75	43	69.6	67.2	63.6	63.0	60.0	55.0	54.0	49.0
	680	82	50	80.1	81.4	76.3	73.5	71.0	67.3	62.9	61.9
	1090	95	63	86.3	93.9	86.5	85.2	86.3	83.9	80.0	77.1
WRCV244DECB	440	73	41	64.8	63.7	60.8	59.6	56.5	52.9	50.7	43.9
	680	82	50	74.8	77.5	73.3	69.8	67.1	65.1	59.3	55.8
	1090	94	62	80.9	90.1	83.6	81.5	82.3	82.0	76.3	70.2
WRCV246DECB	440	77	45	67.8	65.4	61.8	61.2	58.2	53.2	52.2	47.2
	680	83	51	78.3	79.6	74.5	71.7	69.2	65.5	61.1	60.1
	1090	96	64	84.5	92.1	84.7	83.4	84.5	82.1	78.2	75.3
WRCV254DECB	440	74	52	68.8	67.7	64.8	63.6	60.5	56.9	54.7	47.9
	680	83	51	78.8	81.5	77.3	73.8	71.1	69.1	63.3	59.8
	1090	95	63	84.9	94.1	87.6	85.5	86.3	86.0	80.3	74.2
WRCV256DECB	440	78	46	71.8	69.4	65.8	65.2	62.2	57.2	56.2	51.2
	680	84	52	82.3	83.6	78.5	75.7	73.2	69.5	65.1	64.1
	1090	97	65	88.5	96.1	88.7	87.4	88.5	86.1	82.2	79.3

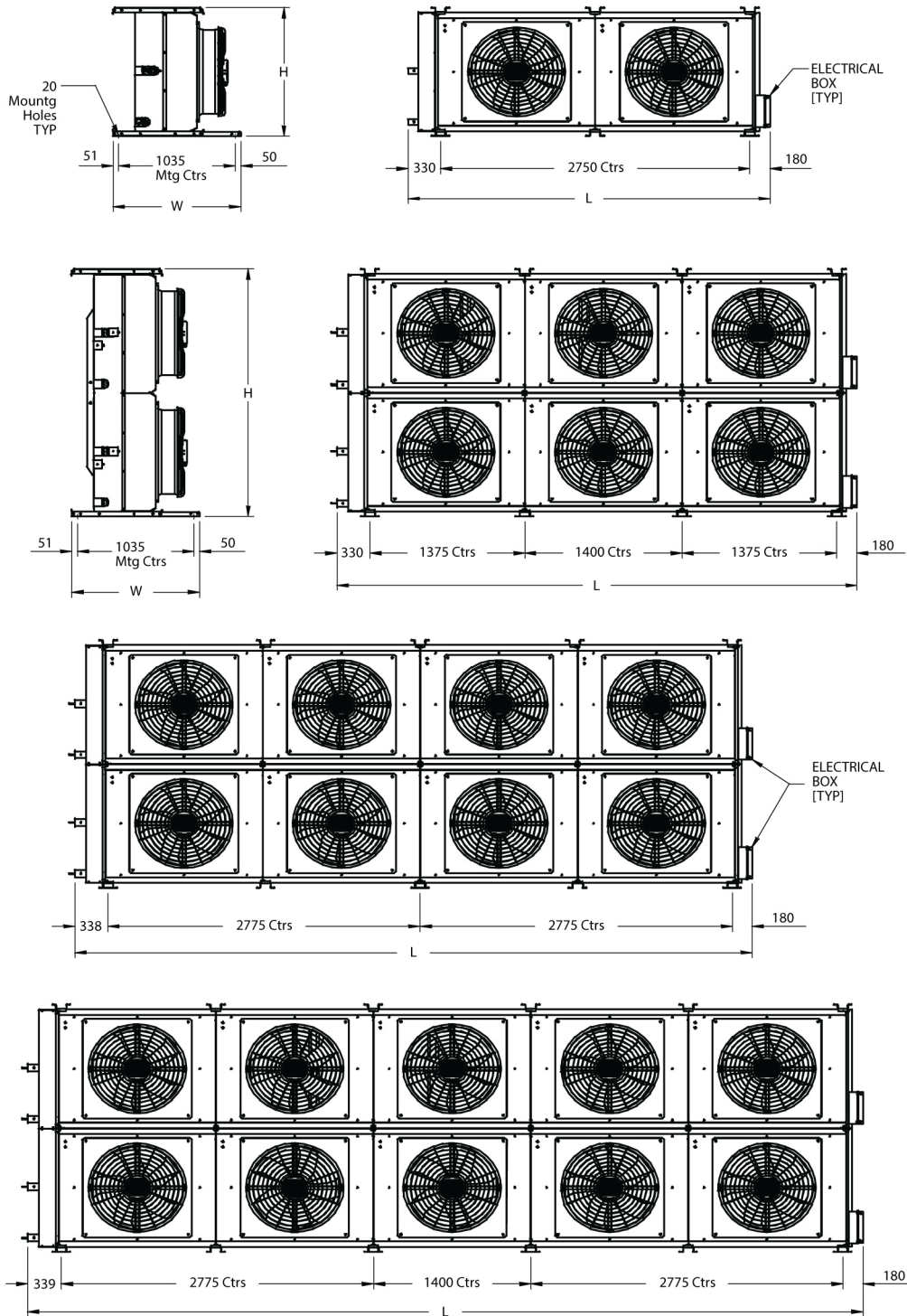
PHYSICAL DATA - HORIZONTAL AIRFLOW

PRODUCT NUMBER	Dimensions (mm)			Dry Weight (kg)	
	Width	Height	Length	Unpacked	Packed
Single Coil Models					
WRC124DECB	1,136	1,250	3,260	430	460
WRC126DECB	1,136	1,250	3,260	500	530
WRC134DECB	1,136	1,250	4,660	610	650
WRC136DECB	1,136	1,250	4,660	710	750
WRC144DECB	1,136	1,250	6,068	820	880
WRC146DECB	1,136	1,250	6,068	960	1,020
WRC154DECB	1,136	1,250	7,469	1,035	1,115
WRC156DECB	1,136	1,250	7,469	1,210	1,290
Twin Coil Models					
WRC224DECB	1,136	2,406	3,260	810	840
WRC226DECB	1,136	2,406	3,260	950	980
WRC234DECB	1,136	2,406	4,660	1,170	1,210
WRC236DECB	1,136	2,406	4,660	1,370	1,420
WRC244DECB	1,136	2,406	6,068	1,570	1,630
WRC246DECB	1,136	2,406	6,068	1,830	1,890
WRC254DECB	1,136	2,406	7,469	1,975	2,055
WRC256DECB	1,136	2,406	7,469	2,300	2,380

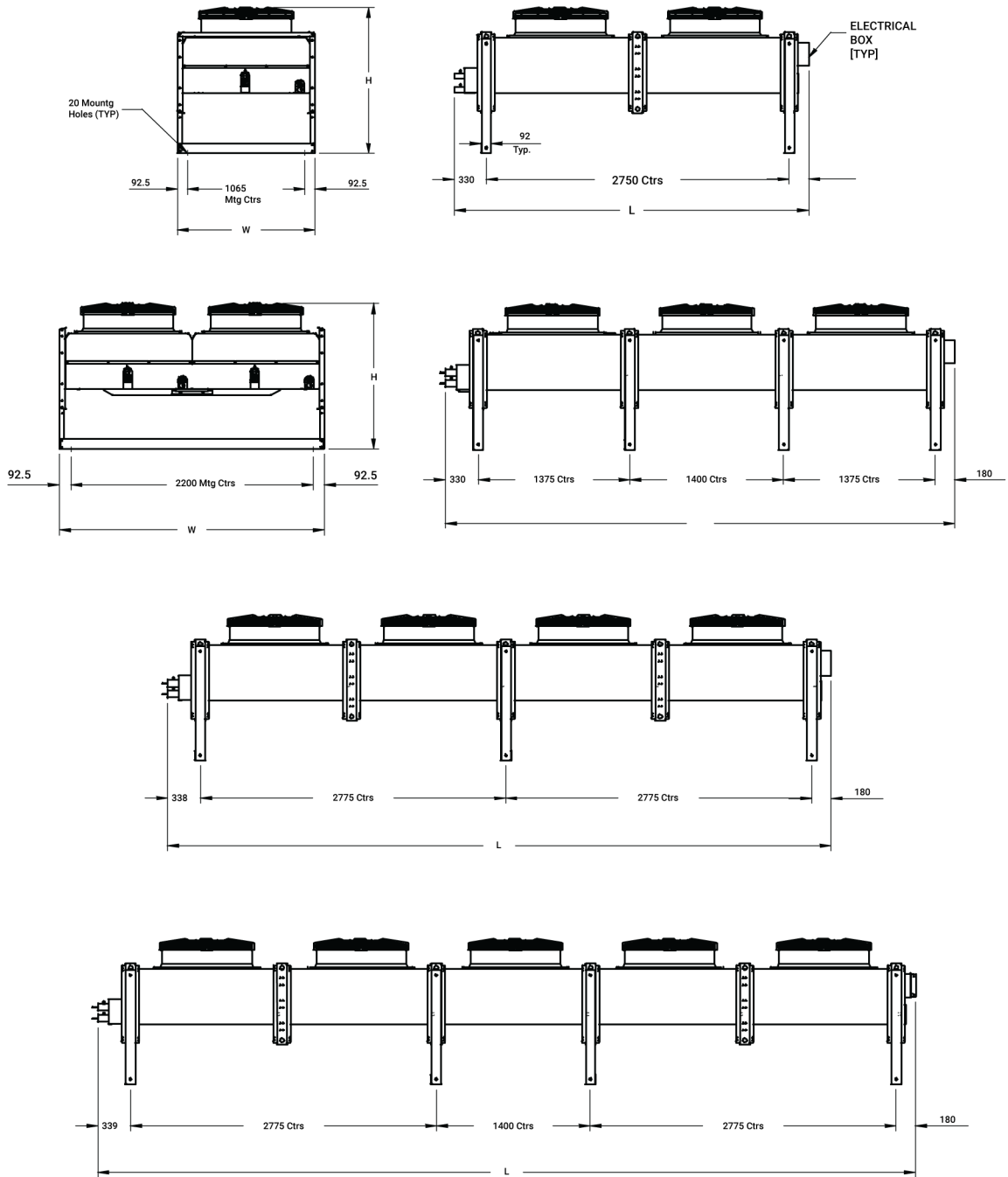
PHYSICAL DATA - VERTICAL AIRFLOW

PRODUCT NUMBER	Dimensions (mm)				Dry Weight (kg)	
	Width	Height (max)	Height (min)	Length	Unpacked	Packed
Twin Coil Models						
WRCV224DECB	2,406	1,615	1,440	3,260	810	840
WRCV226DECB	2,406	1,615	1,440	3,260	950	980
WRCV234DECB	2,406	1,615	1,440	4,660	1,170	1,210
WRCV236DECB	2,406	1,615	1,440	4,660	1,370	1,420
WRCV244DECB	2,406	1,615	1,440	6,068	1,570	1,630
WRCV246DECB	2,406	1,615	1,440	6,068	1,830	1,890
WRCV254DECB	2,406	1,615	1,440	7,469	1,975	2,055
WRCV256DECB	2,406	1,615	1,440	7,469	2,300	2,380

PHYSICAL DATA (HORIZONTAL AIRFLOW CONFIGURATION)



PHYSICAL DATA (VERTICAL AIRFLOW CONFIGURATION)



Manufactured by



Distributed by



AU 25/03/2025

"SCM REF Australia reserves the right to change product specifications without prior notification."

For further details contact Beijer Ref Australia | beijerref.com.au